

Read this instruction carefully. See hardware and furniture part list for guidance. Be sure all parts are complete, before you assemble. Place all wooden furniture parts on a clean and flat soft surface to prevent from being scratched. Follow the figure to start assembling.

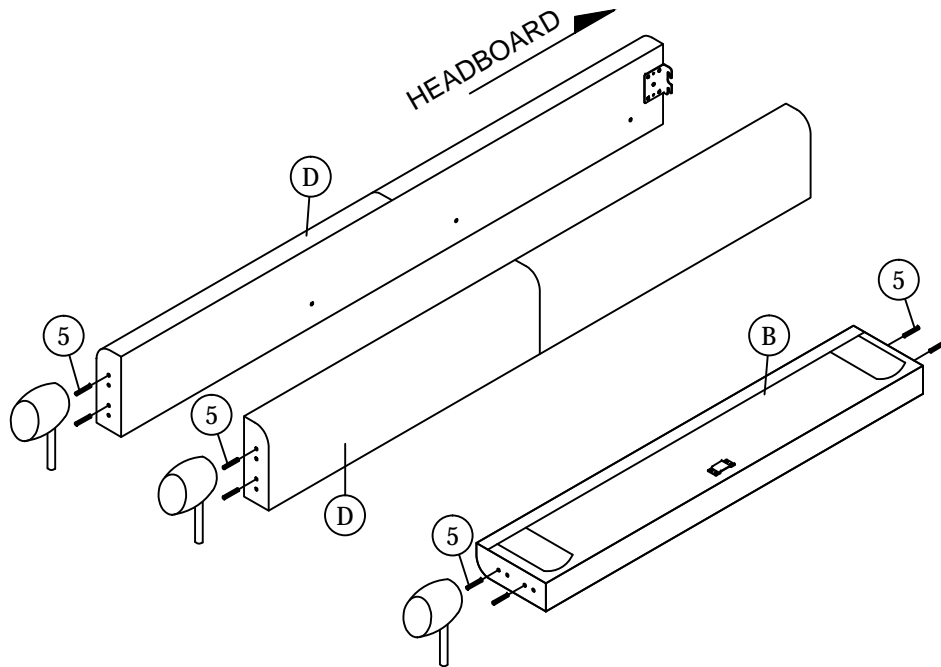
**CAUTIONS :** 1. Do not FULLY - TIGHTEN the nut or nut bolt until all nut or bolt is ready assembled.  
 2. Do not OVER - TIGHTEN the nut or bolt to avoid causing damages to the thread.  
 3. Keep all hardware parts out of reach of children.

**NOTE :** THE LIST AND QUANTITY SHOWN ARE FOR 1 UNIT ASSEMBLY.  
 Tool needed : Screwdriver (not provider).

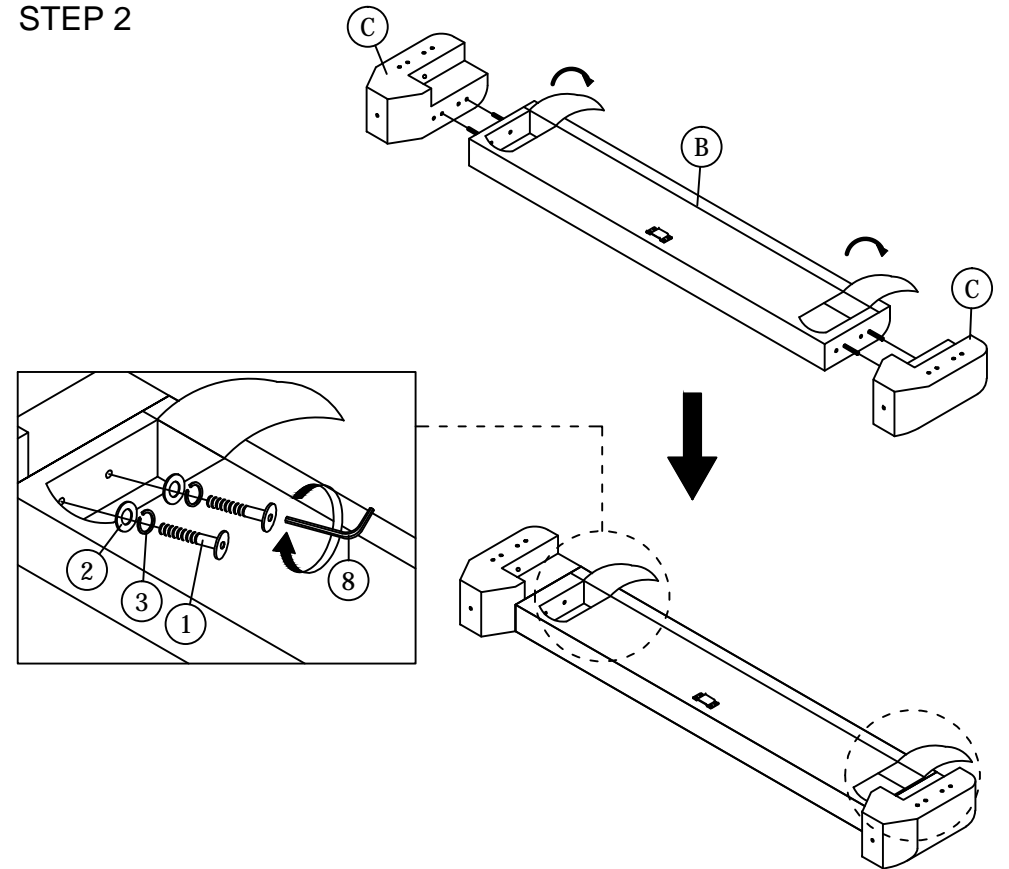
PART LIST		
ITEM	DESCRIPTION	QTY
A	HEADBOARD	1 PC
B	FOOTBOARD	1 PC
C	FOOTBOARD LEG	2 PCS
D	SIDE RAIL	2 PCS
E	SIDE RAIL SUPPORT WOOD	2 PCS
F	CENTER RAIL	1 PC
G	CENTER SUPPORT LEG	3 PCS
H	CENTER SUPPORT	2 PCS
I	BED SLAT	24 PCS
J	BED LEG (1)	2 PCS
K	BED LEG (2)	2 PCS

HARDWARE LIST		
ITEM	DESCRIPTION	QTY
1	JCBC BOLT M6 x 40mm	20 PCS
2	M6 FLAT WASHER	8 PCS
3	M6 SPRING WASHER	8 PCS
4	WOOD SCREW M3.5 x 16mm	8 PCS
5	WOOD DOWEL M8 x 30mm	8 PCS
6	BED SLAT SIDE FITTER	24 PCS
7	BED SLAT CENTER FITTER	12 PCS
8	M4 ALLEN KEY (BALL SHAPE)	1 PC
9	M5 ALLEN KEY (BALL SHAPE)	1 PC

## STEP 1

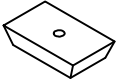


## STEP 2

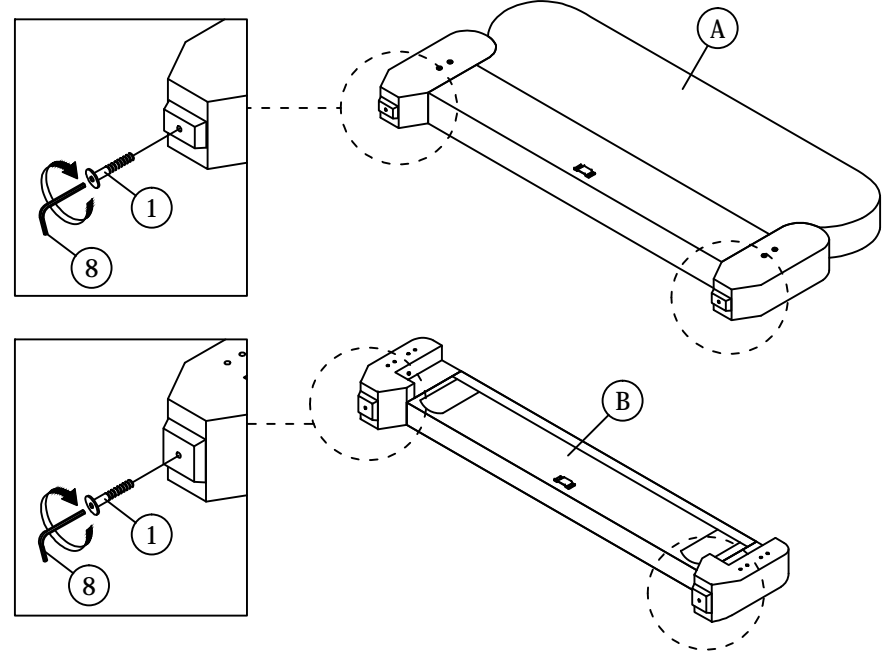
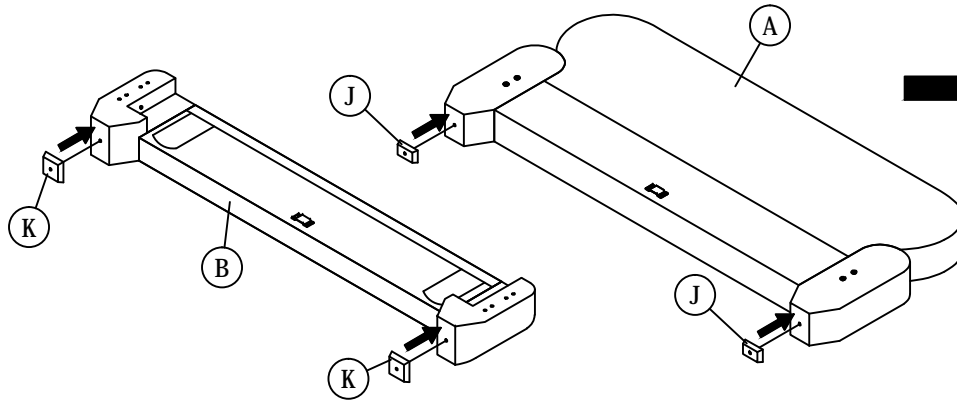
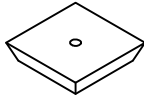


## STEP 3

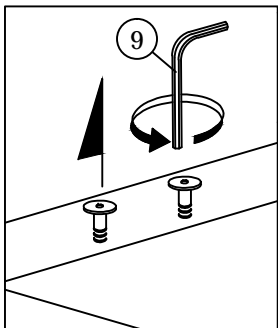
(J) BED LEG (1)



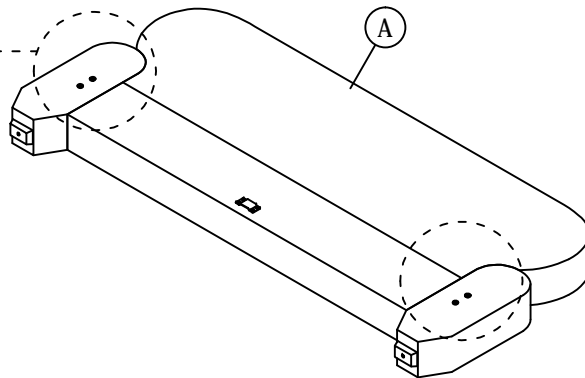
(K) BED LEG (2)



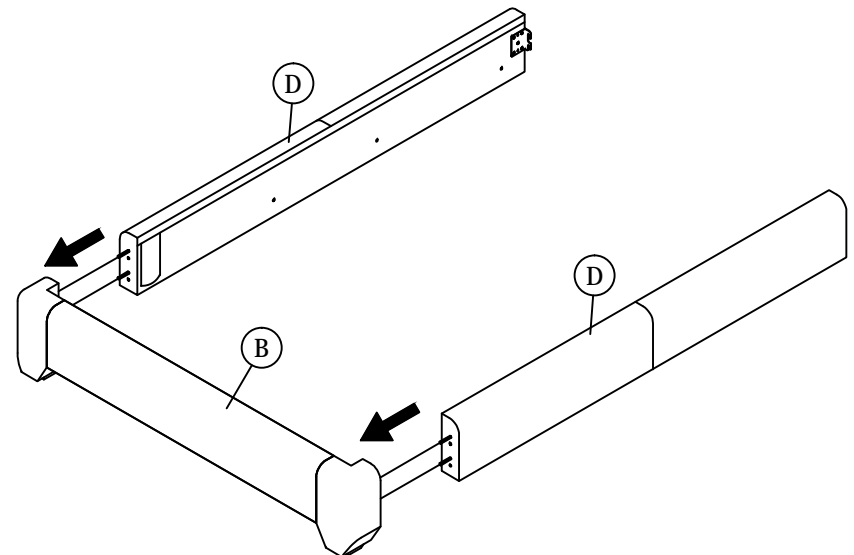
## STEP 4



Loosen the pre-inserted bolt on the headboard using Allen key ball shape (9).

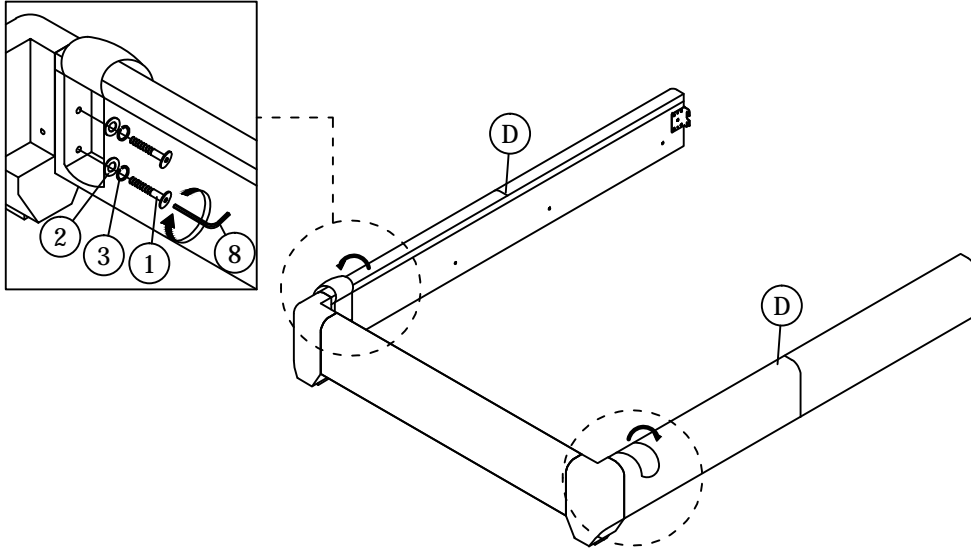


## STEP 5

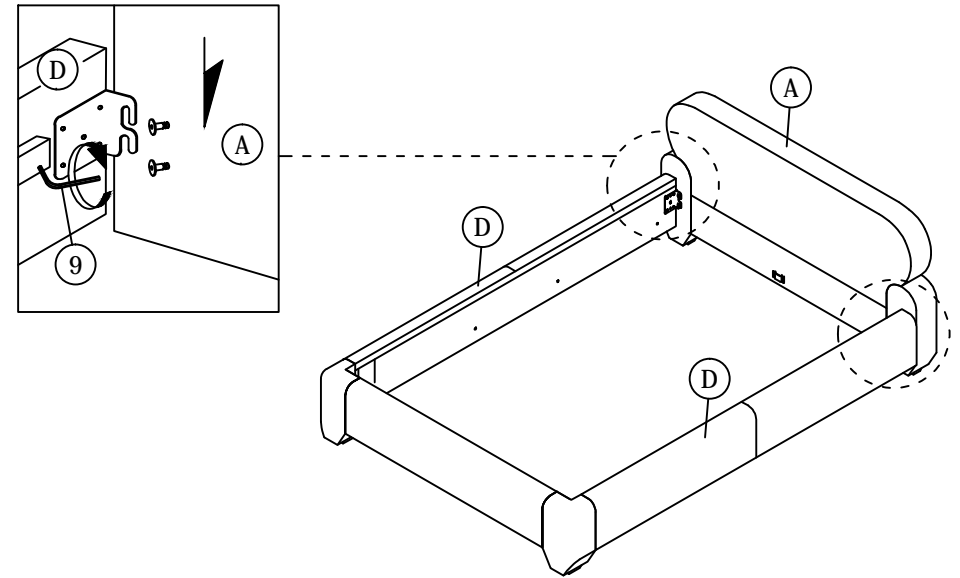


# ASSEMBLY INSTRUCTIONS

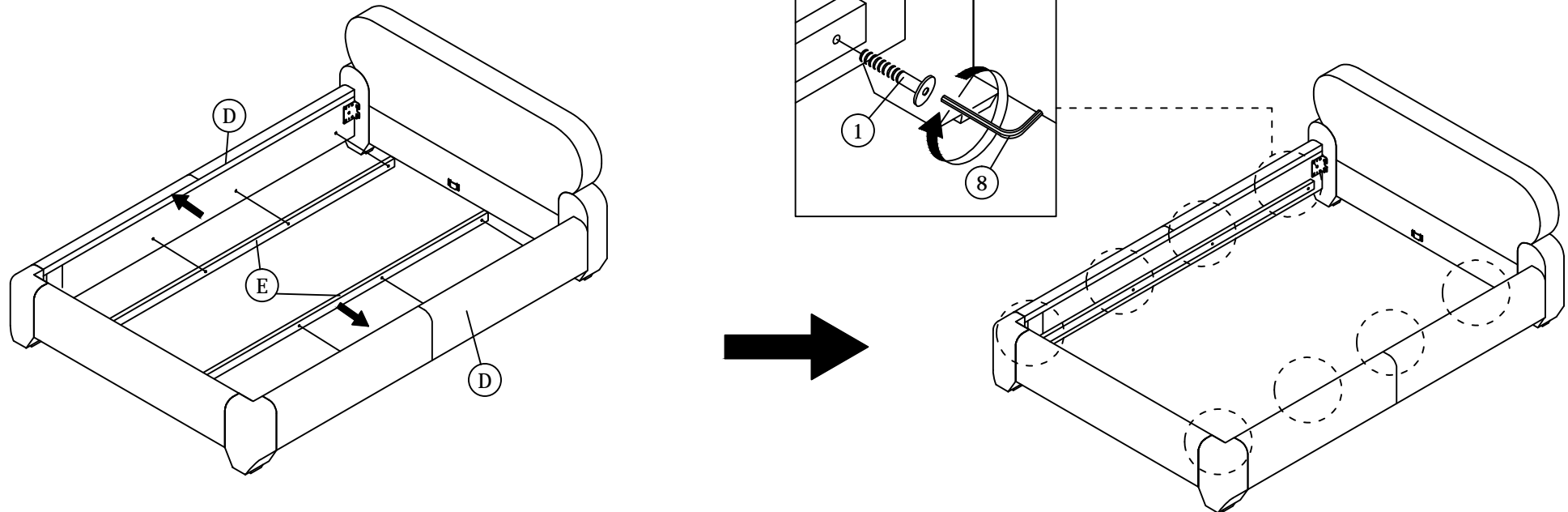
## STEP 6



## STEP 7

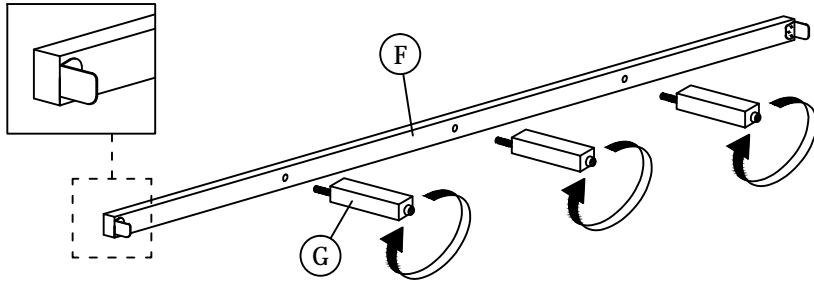


## STEP 8



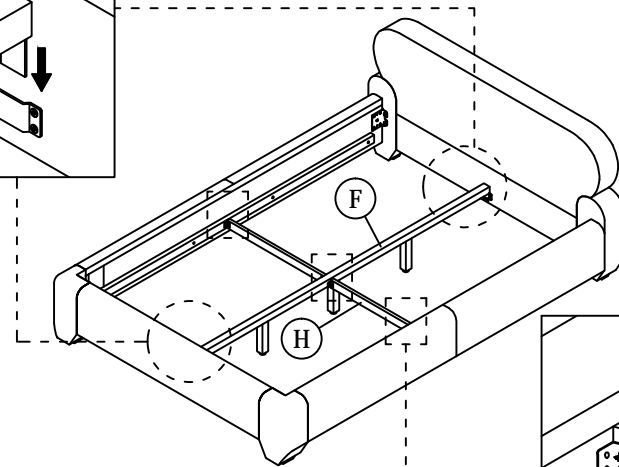
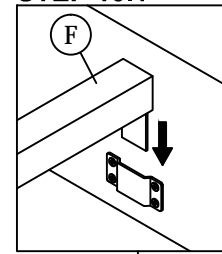
# ASSEMBLY INSTRUCTIONS

## STEP 9

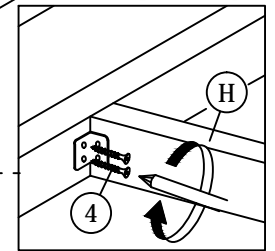


## STEP 10

### STEP 10.1

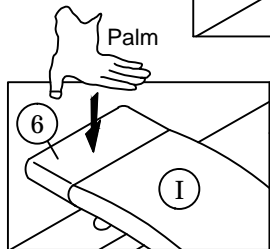
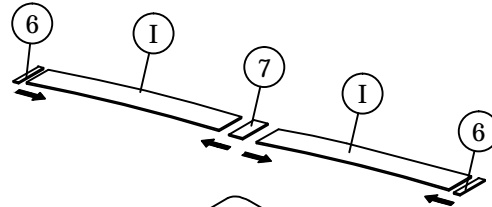
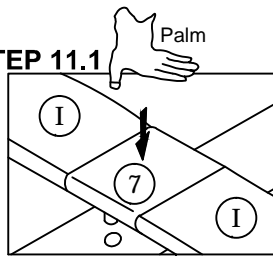


### STEP 10.2

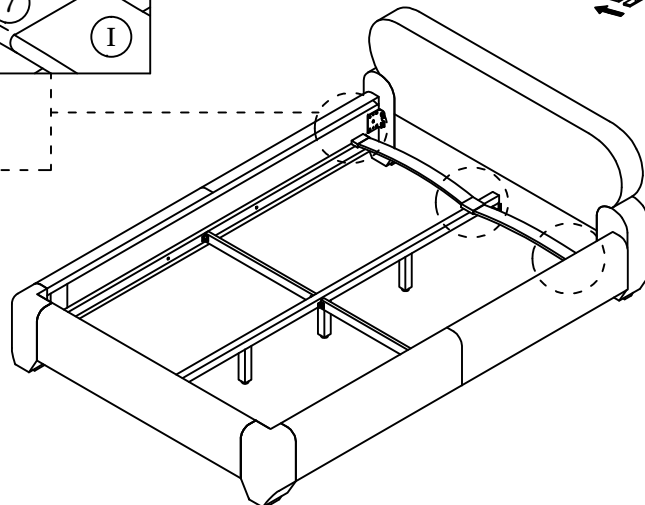


## STEP 11

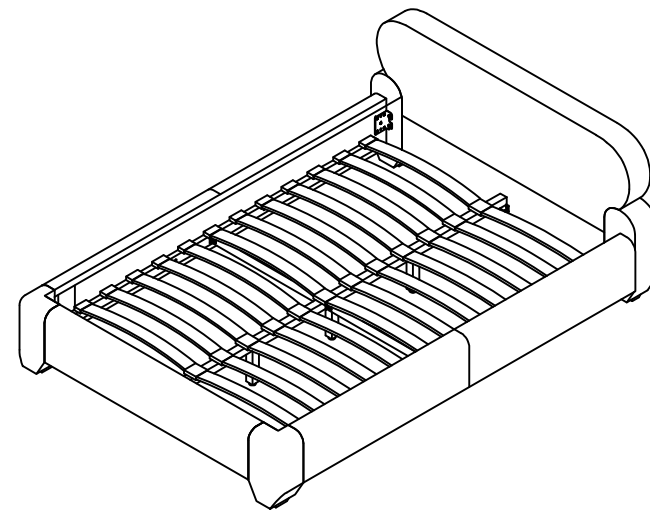
### STEP 11.1



### STEP 11.2



## STEP 12



**\* When moving the bed position, the center support legs must be adjust to be straight to avoid any broken problem.**